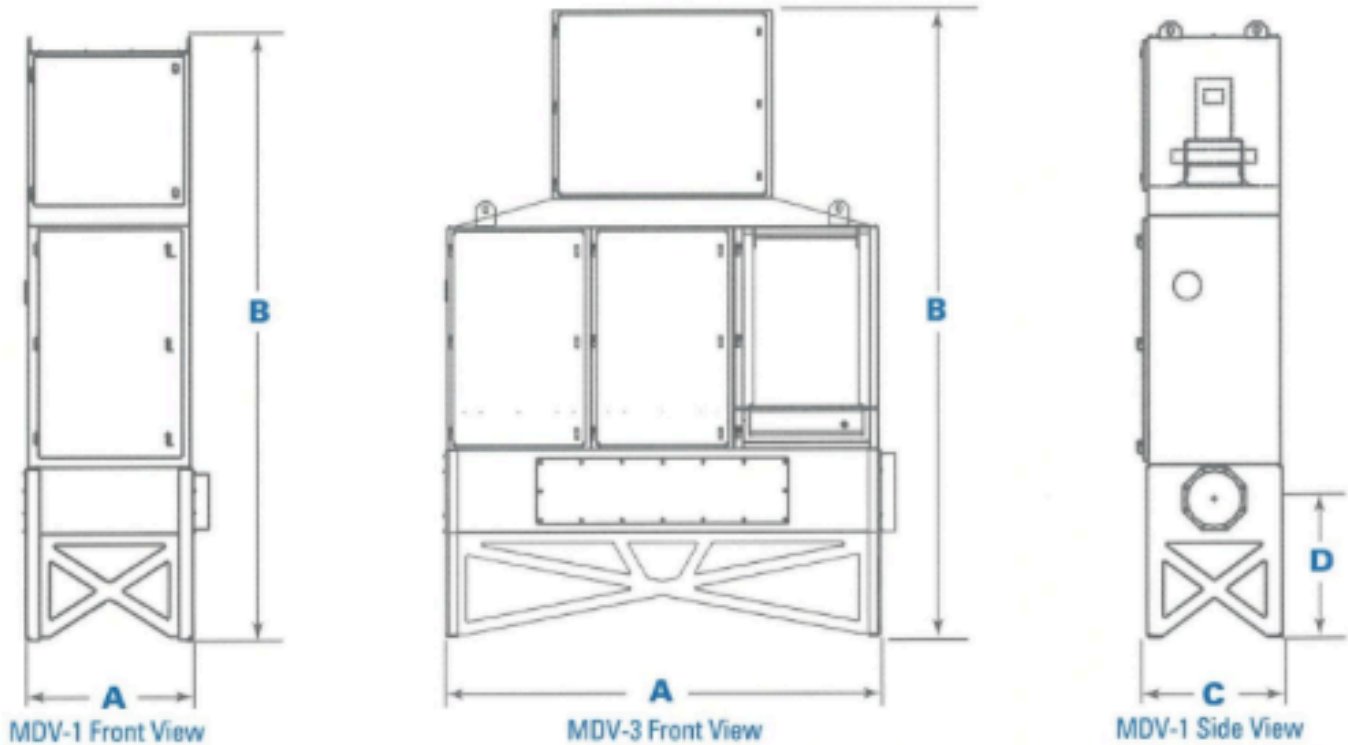


DIMENSIONS & SPECIFICATIONS



Model	Nominal Airflow**		Filter Area Primary Filter		Motor (hp)	Inlet Collar		Dimensions								Shipping Weight	
								A		B		C		D			
	cfm	m ³ /h	ft ²	m ²		in	mm	in	mm	in	mm	in	mm	in	mm	lb	kg
MDV-1	1000 2000	1699 3397	126	11.7	1.5 3	10	254.0	30.8	782.3	113.6	2885.4	25.1	637.5	25.5	647.7	790	358.3
MDV-2	2000 4000	3397 6795	252	23.4	3 7.5	14	355.6	60.8	1544.3	127.9	3248.7	25.1	637.5	28.8	731.5	1325	601.0
MDV-3	3000 6000	5096 10192	378	35.1	5 10	16	406.4	90.8	2306.3	129.9	3299.5	25.1	637.5	29.8	756.9	1800	816.5

EQUIPMENT OPTIONS

Prefilter - Impinger - 4" (101.6 mm) Multi-Vee - First-stage high efficiency filter, 24 x 24 x 4 inches (609.6 x 609.6 x 101.6 mm)	2" (50.8 mm) P-Trap with optional Y-Strainer assembly HEPA or 95% D.O.P. filter module, 24" x 24" x 11.5" (609.6 x 609.6 x 292.1 mm) with Minihelic** gauge Sprinkler head
---	--

* Minihelic is a registered trademark of Dwyer Instruments, Inc. ** Based on clean filters @ 3-4 "wg (76.2-101.6 mm of H₂O) ESP. Donaldson Torit equipment is designed to IBC guidelines for specific wind speed exposure and seismic spectral acceleration at grade level. Contact your Donaldson Torit representative for detailed information available on the equipment's Spec Control drawings. Equipment may be customized to meet unique, customer-specified site requirements.

Significantly improve the performance of your collector with genuine Donaldson Torit replacement filters and parts. **Call Donaldson Torit at 800-365-1331.**